

TOTO®

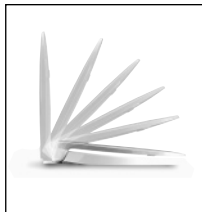
CST414M Aquia® Dual Flush Toilet, 1.6 GPF / 0.9 GPF



CST414M - Aquia® Toilet
SS204 - SoftClose® Oval Seat



Dual-Max™ Technology:
Optional 1.6 Gpf / 6 Lpf
or 0.9 Gpf / 3.4 Lpf



Choose a SoftClose®
toilet seat, or
upgrade to a Washlet™.



- Elongated skirted design, two piece toilet
- Dual-Max™ Flushing System
- Push button style flush option
- Excellent rim wash
- Large, 2-1/8" fully glazed trapway

Decorative, high profile two piece toilet. Dual Flush (1.6 Gpf / 6 Lpf & 0.9 Gpf / 3.4 Lpf) performance option to allow appropriate water usage.

Tank cover, fittings, chrome plated push button, less seat.

■ CST414M

Elongated toilet bowl & tank, 12" rough-in, less seat

□ CT414

Aquia® Elongated bowl only, 12" rough-in.

□ ST413M

Aquia® tank and cover only. Complete with tank trim and coupling components.

□ SS204

SoftClose® Oval Seat: Seat and lid gently close with a touch of a hand. Elongated, closed front seat with lid.

□ SS114

SoftClose® Seat: Seat and lid gently close with a touch of a hand. Elongated, closed front seat with lid.

□ SC134

Elongated, open front seat with lid.

□ SC534

Elongated, open front seat less lid.

Colors:

Standard #01 Cotton

Optional See price book for additional colors

Flush Button:

Standard Chrome Plated

CST414M

Aquia® Dual Flush Toilet, 1.6 GPF / 0.9 GPF

■ PERFORMANCE

TOTO® Dual-Max™ toilets received high ratings during ANSI/ASME and CSA testing. Designed to offer optional 1.6 Gpf or 0.9 Gpf to meet the demands for water savings in growing population centers.

■ SPECIFICATIONS

Water Use: 1.6 Gpf / 6.0 Lpf
0.9 Gpf / 3.4 Lpf

Flush System: Gravity Feed
(Dual-Max™ System)

Min. Water Pressure: 8 psi

Water Surface: 6" x 4-3/8"

Trap Diameter: 2-1/8"

Rough-in: 12" rough-in

Trapseal: 2-1/8"

Acoustic Reading: 65-70dB (may vary depending on room construction)

Warranty: One Year Limited Warranty

Material: Vitreous china

Shipping Weight: **CT414**
70.4 lbs.

ST413M
27.2 lbs.

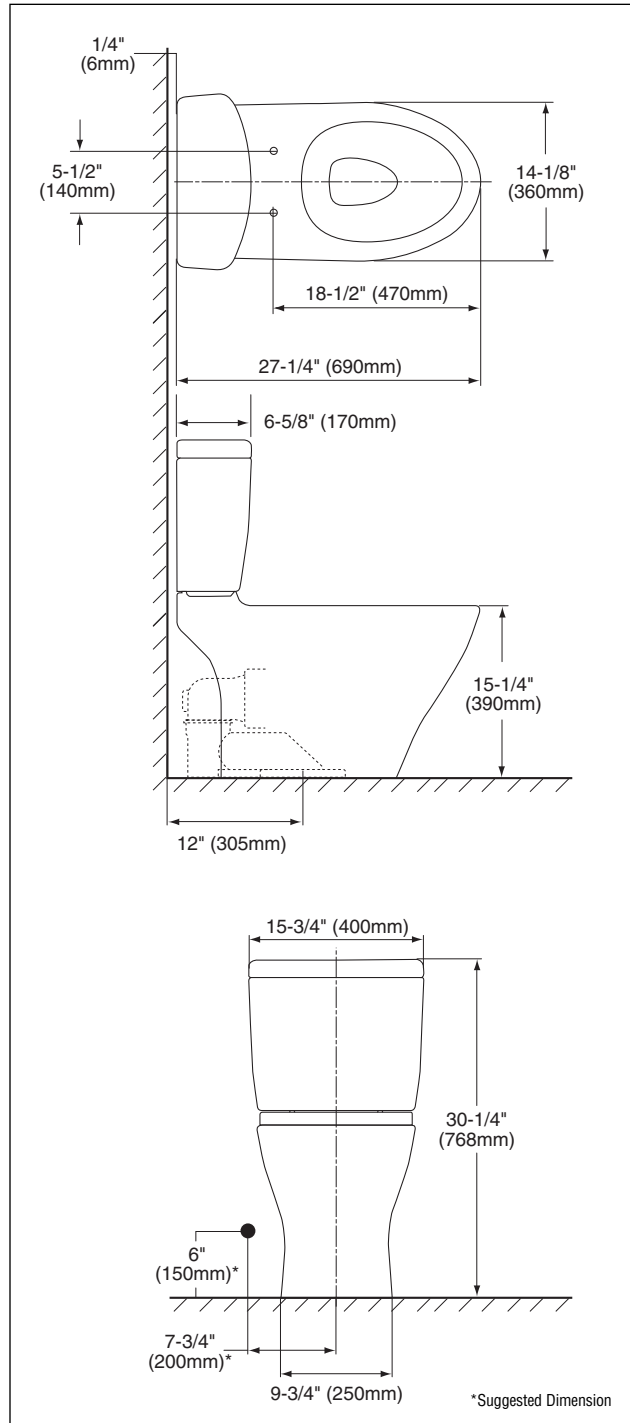
Shipping Dimensions: **CT414**
30"L x 15"W x 18-1/2"H

ST413M
16"L x 7-1/2"W x 15"H

Fixture dimensions and hydraulic performance meet or exceed ANSI/ASME standard A112.19.2M and CAN/CSA B 45 requirements.

*Listing and approval: IAPMO/UPC, CSA, City of Los Angeles, State of MA, and others.
Watersense compliant.*

These dimensions and specifications are subject to change without notice.



CST414M - Aquia® Toilet

TOTO®

TOTO® U.S.A., INC. • 1155 Southern Road, Morrow, GA 30260
Tel. (888) 295-8134 • Fax. (770) 282-8701 • www.totousa.com

Printed in U.S.A. © TOTO® LTD. 06/05 #A10230

Printed on recycled paper

REV 11/07